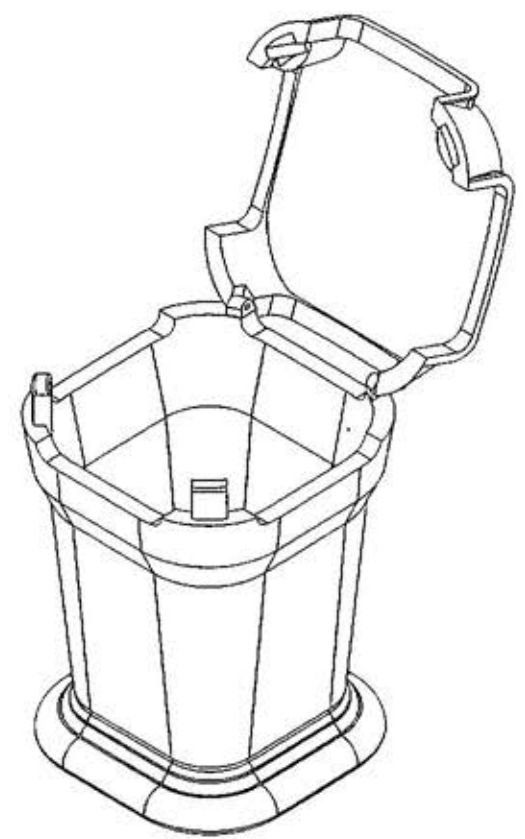
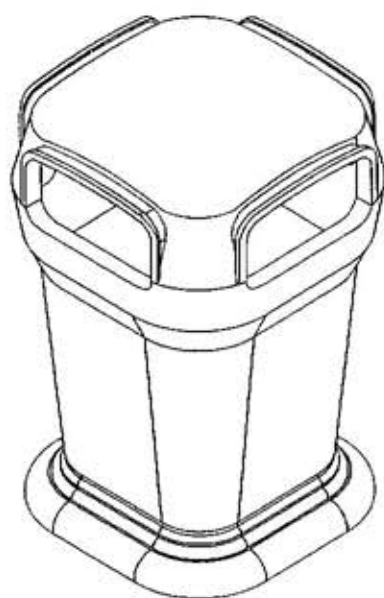
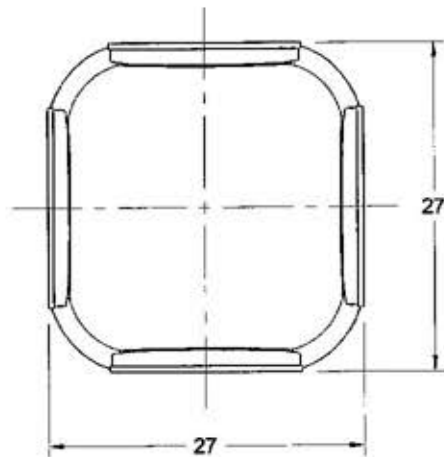
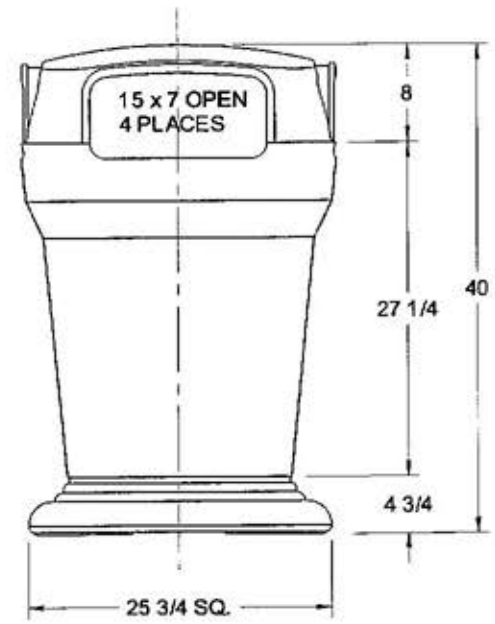


REVISIONS			
REV.	DESCRIPTION	DATE	APPROVED

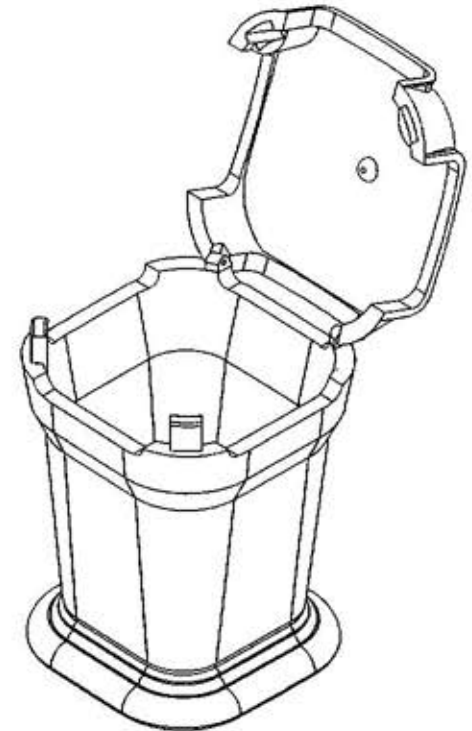
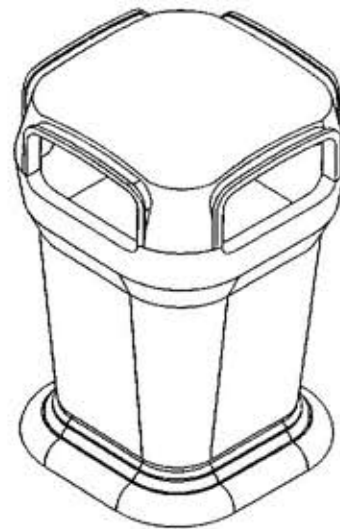
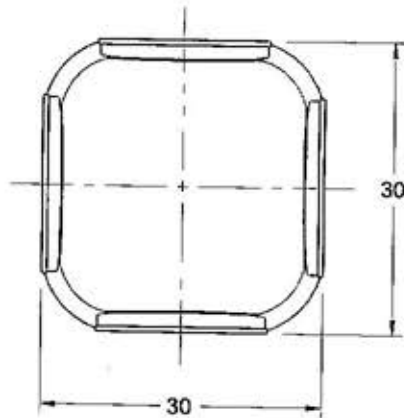


OPEN 115°

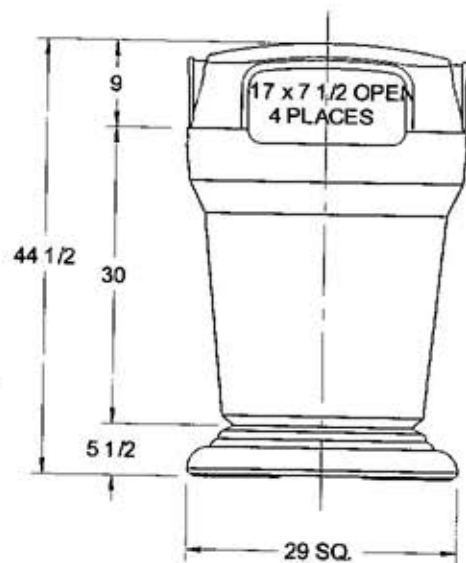


STI SNYDER INDUSTRIES, INC.			
Part # 02-1R04000 40 GAL. - PLR			
DRAWN BY: DPHAM	DATE: 1/22/09	SCALE: 1 = 16	DWG No. S-1593 REV.

REVISIONS			
REV.	DESCRIPTION	DATE	APPROVED



OPEN 115°



www.snyderrefuse.com

STI SNYDER
INDUSTRIES, INC.

Part # 02-1R05800
58 GAL. - PLR

DRAWN BY: DPHAM	DATE: 1/22/09	SCALE: 1 = 20	DWG No. S-1594	REV.
--------------------	------------------	------------------	-------------------	------